

# MONTEGO FIRE PIT TABLE



## MODERN, BEAUTIFUL DESIGN

The Montego Fire Pit Table offers a unique, versatile design to fit your patio style. This stylish fire pit table also offers maximum durability for outdoor use. Clean and simple lines put the focus on the dazzling Crystal Fire® Plus Burner. Take a closer look at the details of the stunning wicker base while the gorgeous flames reflect off the glass top.

## FEATURES:

- Black glass top
- Balsam outdoor resin wicker base
- 12" X 42" Crystal Fire® Plus Burner - 100,000 BTUs (LP)
- Grey glass burner cover included
- Access door conceals 20 lb. propane tank in base
- Optional glass wind guard and protective cover
- UL Listed

# MONTEGO FIRE PIT TABLE

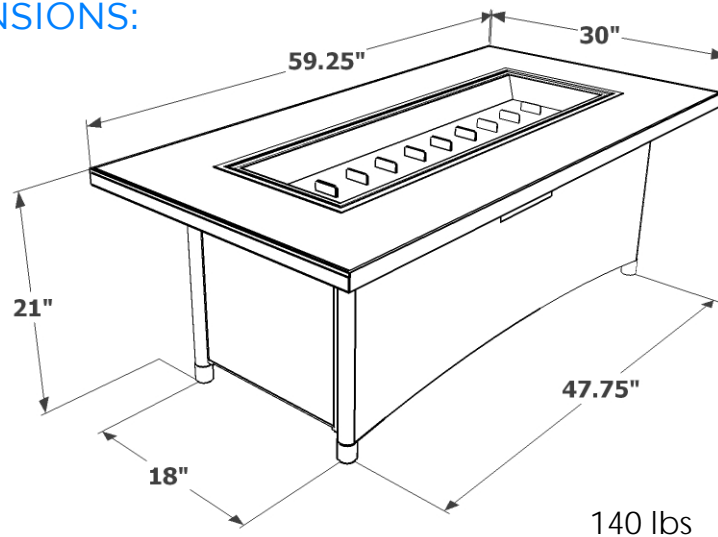
## PRODUCT INFORMATION:

ITEM	PRICE
Balsam Montego Fire Pit Table	\$1,870.00

## OPTIONAL ACCESSORIES:

ITEM	PRICE
Glass Wind Guard	\$285.00
Protective Cover	\$94.00

## DIMENSIONS:



THE OUTDOOR  
GREATROOM  
COMPANY

## AUTHORIZED DISTRIBUTOR:



Brooklyn Park  
763-488-1300

Burnsville  
952-894-4400

Oakdale  
651-770-1391