

KENWOOD FIRE PIT TABLE



KENWOOD RECTANGULAR CHAT FIRE PIT TABLE

EASY-TO-CARE-FOR TRANSITIONAL STYLE

The easy-to-maintain composite deck top and base brings a modern, but warm look to your outdoor room. The unique elevated Crystal Fire® Plus Burner is UL Listed for safety and will wow your guests. Available in a dining or chat height.

FEATURES:

- Easy to maintain Brown composite decking top and base
- Graphite Grey powder-coated aluminum frame
- Elevated Crystal Fire® Plus Burner - 12x24": 55,000 BTUs (LP)
- Grey glass burner cover and clear glass gems included
- Access door conceals 20 lb. propane tank in base
- Optional glass wind guard and protective cover
- Product is set up for liquid propane but can be converted to natural gas using included conversion kit
- UL Listed
- Glass Guard is highly recommended for use on products with composite material

KENWOOD FIRE PIT TABLE

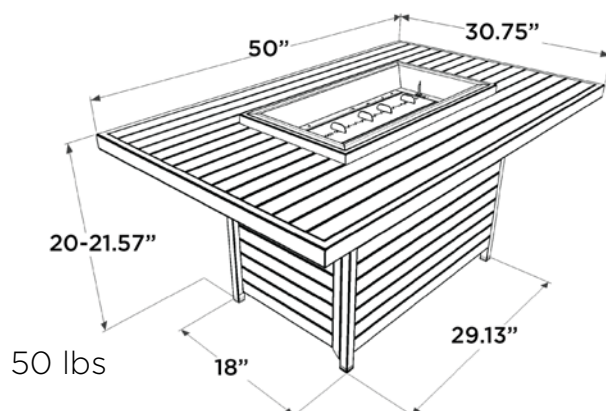
PRODUCT INFORMATION:

ITEM	PRICE
Kenwood Rectangular Chat Fire Pit Table	\$1,424.00

OPTIONAL ACCESSORIES:

ITEM	PRICE
Glass Wind Guard	\$219.00
Protective Cover	\$75.00

DIMENSIONS:



THE OUTDOOR
GREATROOM
COMPANY

AUTHORIZED DISTRIBUTOR:



Brooklyn Park
763-488-1300

Burnsville
952-894-4400

Oakdale
651-770-1391